



# Building Division

525 North Third Avenue | Pasco, WA 99301

(509) 545-3442 phone | (509) 543-5728 fax

[www.Pasco-WA.gov](http://www.Pasco-WA.gov) | [PermitTech@pasco-wa.gov](mailto:PermitTech@pasco-wa.gov)

## Accessory Structure Greater than 200 Square Feet

### Directions

1. Fill in the blanks on pages 2 and 3 with dimensions and materials which will be used to build the structure. Please print legibly.

Address: \_\_\_\_\_

2. Indicate in the check boxes on page 3 which details from page 4 will be used.

Note: Heated garages will require insulation, such as ceilings, walls, and foundation.

### Floor Plan

Dimension \_\_\_\_\_

Locate and detail bracing

Indicate rafter or truss direction

Check one

Garage is heated

Garage is not heated

Show door and window header sizes and location and size of landing in front of door

3 1/2" minimum concrete slab

Floor slope

( ) x header  
(example: (2) 2 x 10)

Note:  
If roof trusses or rafters bear on header, special header design may be required

Double 2x4 or 2x6 trimmers each end of overhead door header

Garage door opening

Dimension \_\_\_\_\_

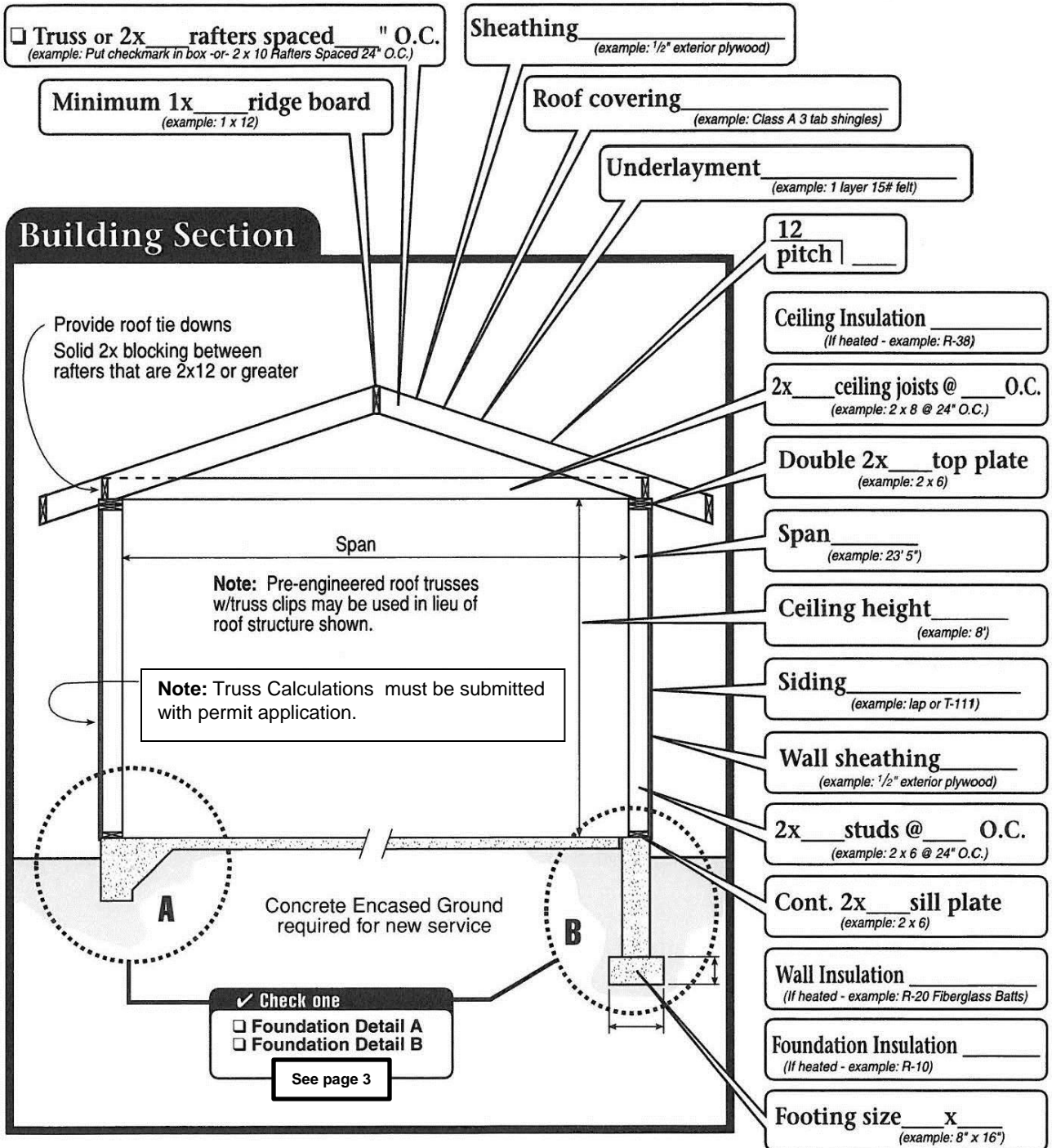
Garage door opening width \_\_\_\_\_

Dimension\* \_\_\_\_\_

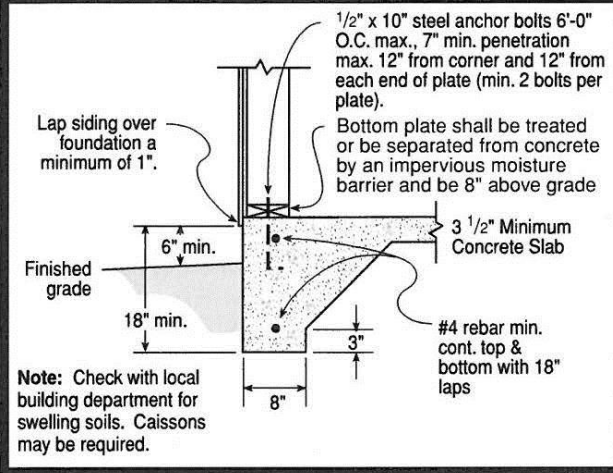
\* If less than 4' see Braced Wall Panel Detail on page 4 to comply with section R602.10.3.3 (IRC)

Dimension\* \_\_\_\_\_

Note: For roofs with slopes less than 4:12, follow manufacturer's instructions for low slope application of roofing material.



## Foundation Detail A



## Foundation Detail B

