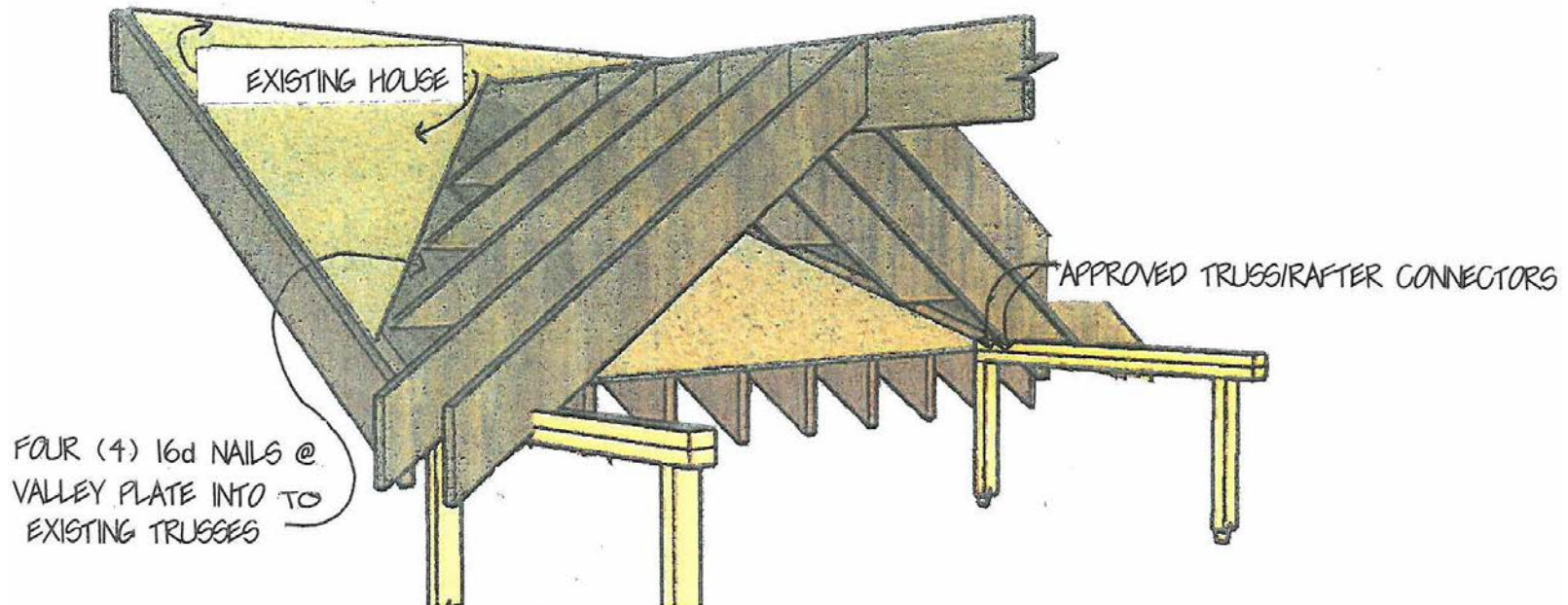




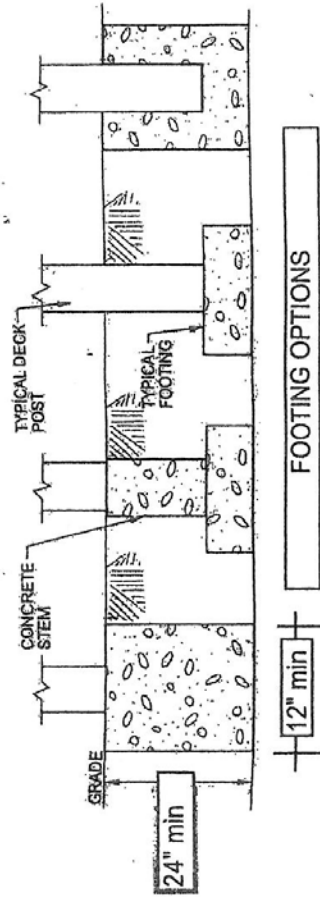
OVERFRAME PATIO COVERS



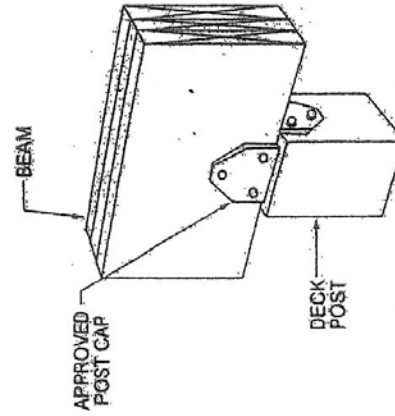
EXPOSED WOOD OR WOOD IN CONTACT WITH SOIL OR CONCRETE SHALL BE PRESSURE-PRESERVATIVE TREATED. R317.1

SEE REVERSE SIDE →

RAFTER SIZE _____ X _____
 RAFTER SPAN _____
 RAFTER SPACING _____
 SUPPORT BEAM SIZE _____
 SUPPORT BEAM SPAN _____



EXPOSED WOOD OR WOOD IN CONTACT WITH SOIL OR CONCRETE SHALL BE PRESSURE-PRESERVATIVE TREATED. R317.1



POST TO BEAM CONNECTION

| PATIO AND DECK POST | |
|---------------------|----------------|
| SIZE | MAXIMUM HEIGHT |
| 4" x 4" | 8' |
| 4" x 6" | 8' |
| 6" x 6" | 14' |